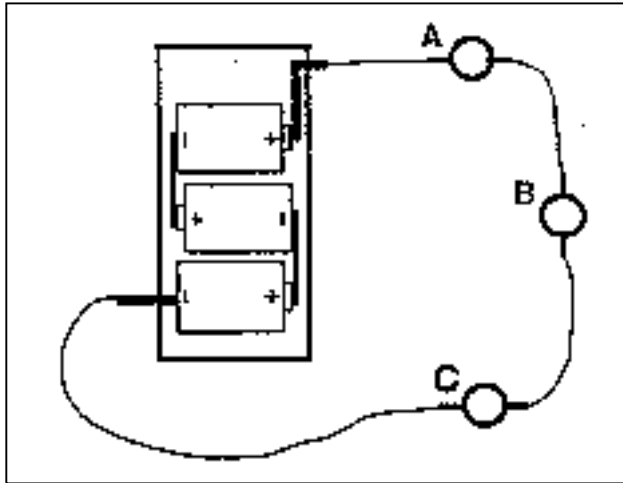
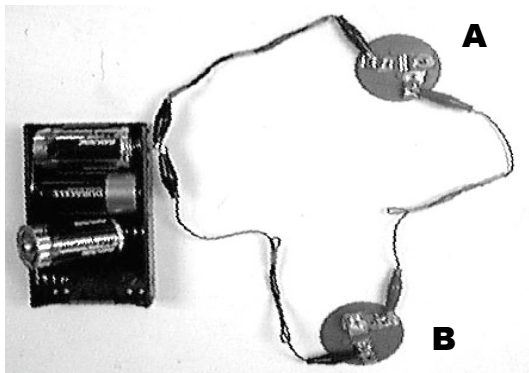


# CASTLE Unit 1 - WS 1



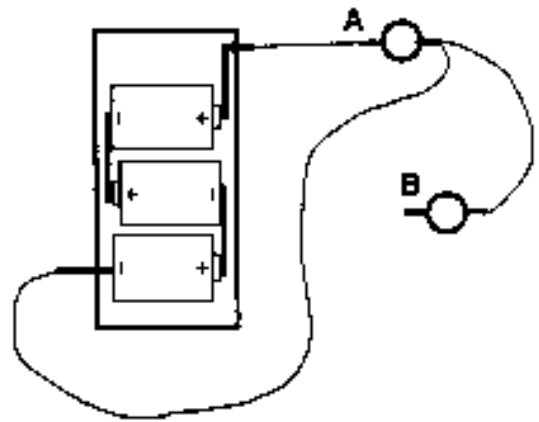
1. In the following circuit, which bulb lights first?
- A) Bulb A
  - B) Bulb B
  - C) Bulb C
  - D) They all light at the same time
  - E) A and C light first, B lights after them.

Study the three loops shown below. For each loop, state which of the bulbs will light when the connections are made.



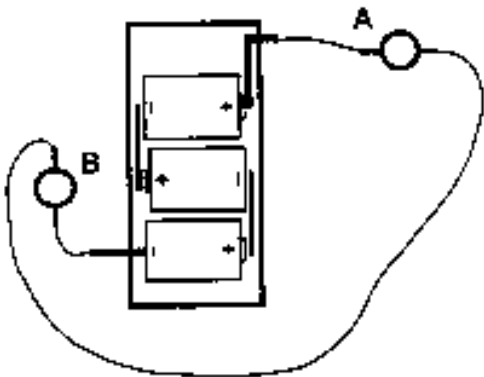
2. \_\_\_\_\_

- A) bulb A
- B) bulb B
- C) both bulbs
- D) neither bulb



3. \_\_\_\_\_

- A) bulb A
- B) bulb B
- C) both bulbs
- D) neither bulb



4. \_\_\_\_\_

- A) bulb A
- B) bulb B
- C) both bulbs
- D) neither bulb

5. Using a colored pencil, go back and trace the continuous conducting paths in numbers 1 – 4.